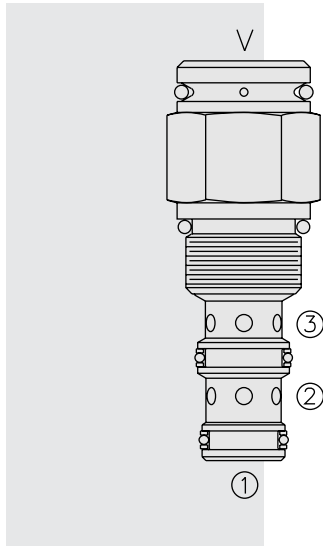


PD10-34 Piloted 2-Way Spool, Normally Closed,



DESCRIPTION

A screw-in, cartridge-style, pilot-operated, spool-type, normally closed, hydraulic directional valve for two-way circuits requiring remote pilot actuation.

OPERATION

In neutral (unpiloted), the **PD10-34** blocks flow from ③ to ② bidirectionally.

V is a spring chamber vent-to-atmosphere, which is internally O-ring sealed from the cartridge flow paths.

On remote pilot signal at ①, the valve shifts to open ② to ③ bidirectionally.

Because of the vented spring chamber, the cartridge may be fully pressurized at any port without affecting required pilot pressure.

FEATURES

- Hardened spool and cage for long life.
- Industry common cavity.

RATINGS

Operating Pressure: 240 bar (3500 psi)

Proof Pressure: 390 bar (5700 psi)

Flow: See Performance Chart

Internal Leakage: 82 cc/minute (5 cu. in./minute) max. at 207 bar (3000 psi)

Pilot Pressure Required: To Full Spool Shift:
 for 4.1 bar (60 psi) spring: 4.7 bar (68.2 psi)
 for 7.6 bar (110 psi) spring: 8.6 bar (125 psi)

Oil Volume Required to Full Shift: 0.65 cc (0.04 cu. in.)

Temperature: -40 to 120°C with standard Buna seals

Filtration: See page 9.010.1

Fluids: Mineral-based or synthetics with lubricating properties at viscosities of 7.4 to 420 cSt (50 to 2000 sus); See Temperature and Oil Viscosity, page 9.060.1

Installation: No restrictions; See page 9.020.1

Cavity: VC10-3; See page 9.110.1

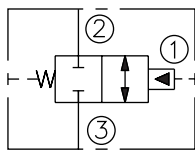
Cavity Tool: CT10-3XX; See page 8.600.1

Seal Kit: SK10-3X-MM; See page 8.650.1

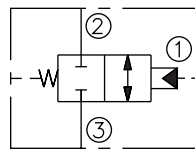
Cap Vent Seal: 6003117

SYMBOLS

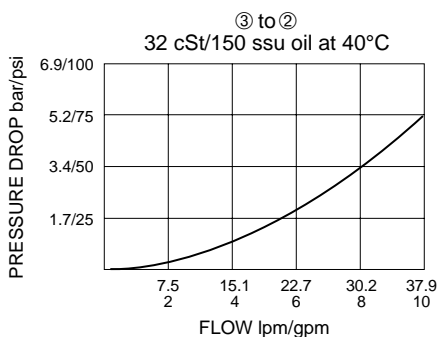
USASI:



ISO:



PERFORMANCE (Cartridge Only)

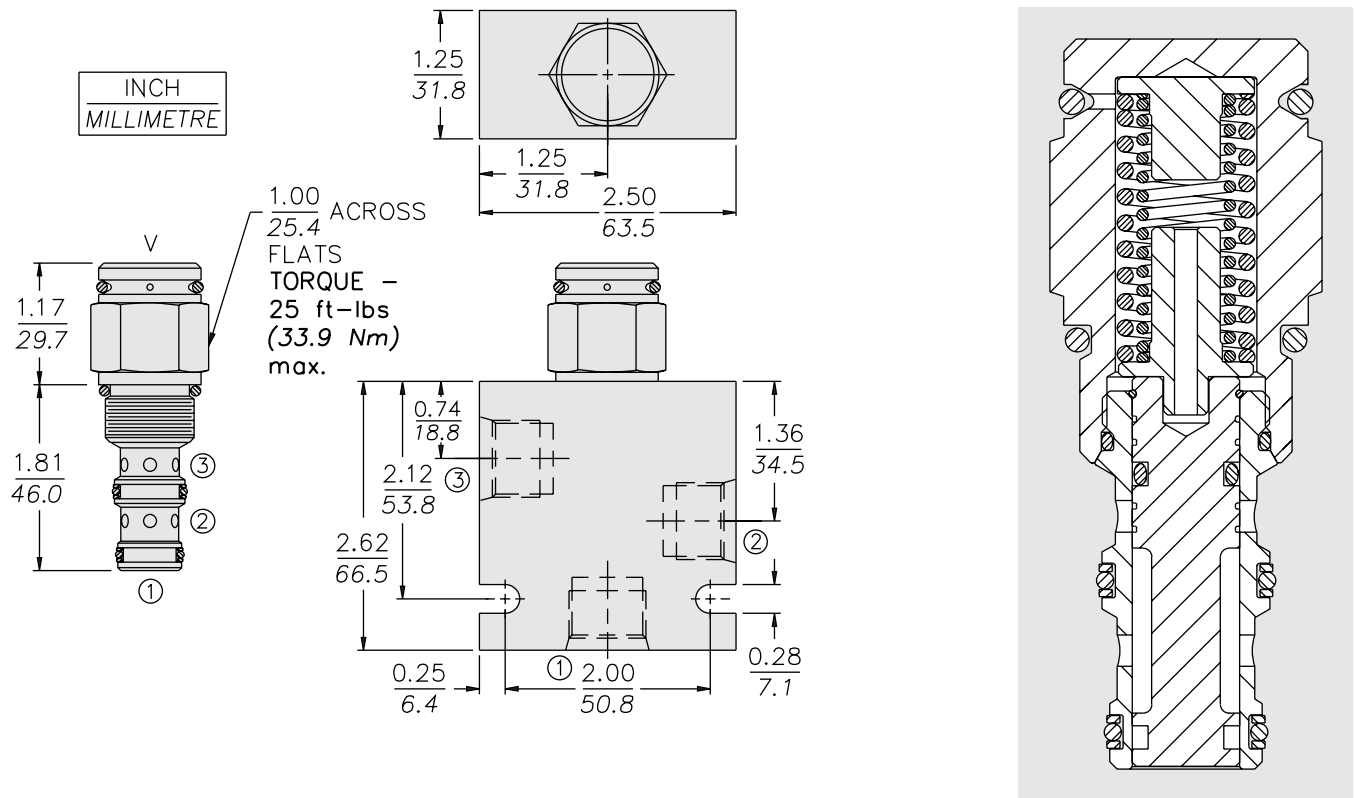


Note: This valve is designed with a dynamic oil-to-atmosphere seal in the vent section. Ambient conditions will cause this vent seal to degrade which will reduce the valve's cycle life. If this could cause a problem, we suggest that a non-vented model be selected, or special seal be used. Consult factory for assistance.

External Vent

PD10-34

DIMENSIONS

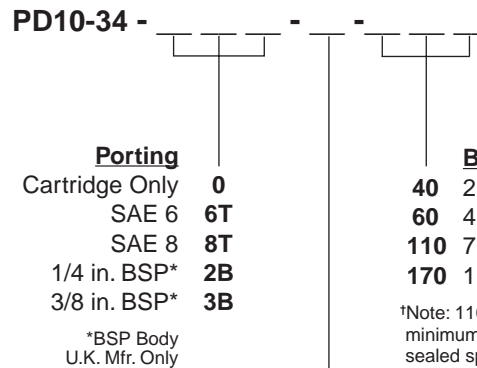


MATERIALS

Cartridge: Weight: 0.15 kg. (0.34 lbs.)
Steel with hardened work surfaces;
Zinc-plated exposed surfaces.
Buna N O-rings and polyester
elastomer back-ups standard.

Standard Ported Body: Weight:
0.36 kg. (0.80 lbs.) Anodized high-
strength 6061 T6 aluminum alloy,
rated to 207 bar (3000 psi).
Ductile iron and steel bodies
available; dimensions may differ.
See page 8.010.1.

TO ORDER



†Note: 110 psi bias spring is the minimum required for use with sealed spool.

Seals

- N** Buna N (Std.)
- NS** Buna N with Sealed Spool
- V** Fluorocarbon
- VS** Fluorocarbon with Sealed Spool